

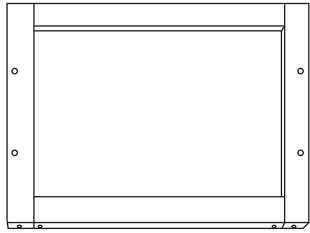
Congratulations on purchasing a MDB Family product. This cradle will provide many years of service if you adhere to the following guidelines for assembly, maintenance, and operation. This cradle is for residential use only. Any institutional use is strictly prohibited.

Please be sure to follow the instructions for proper assembly. Use a Phillips head screwdriver for assembling the cradle in addition to the Allen wrench included in the hardware box. Do not use power screwdrivers. All of our cradles are made from natural woods. Please understand that natural woods have color variations which are the result of nature and not defects in workmanship.

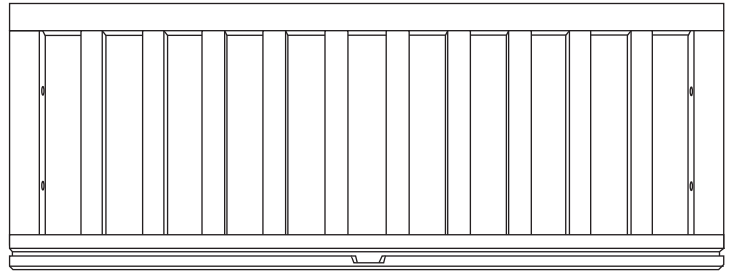
DO NOT SUBSTITUTE PARTS. ALL MODELS HAVE THE SAME QUANTITY OF PARTS AND HARDWARE. YOUR MODEL MAY LOOK DIFFERENT FROM THE ONE ILLUSTRATED DUE TO STYLISTIC VARIATIONS.



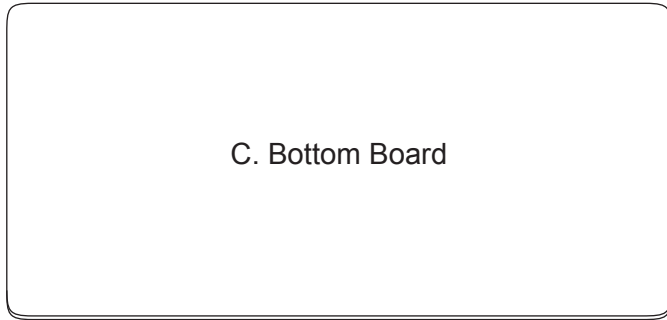
Cradle Parts



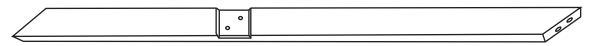
A. End Panel (2)



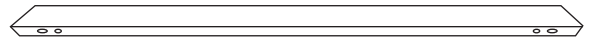
B. Side Rail (2)



C. Bottom Board



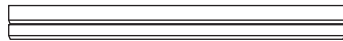
F. Leg (4)



G. Bottom Rail (2)



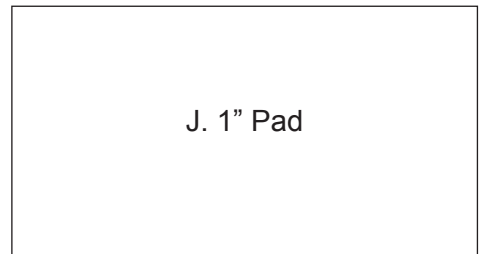
D. Center Support Bar



E. Side Support Bar (2)

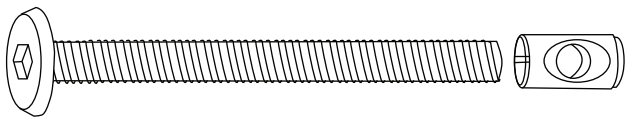


H. Cross Rail

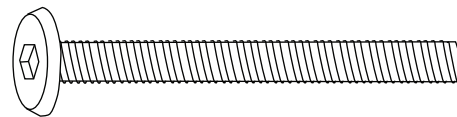


J. 1" Pad

Hardware



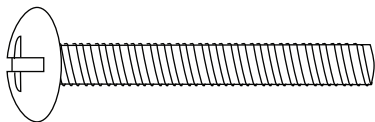
H1. 2 -1/2" Allen Head Bolt with Nut (4)



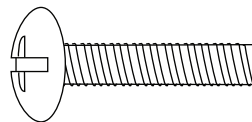
H2. 2 1/4" Allen Head Bolt (8)



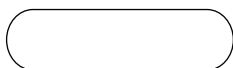
H8. Lock Washer (20)



H3. 1 -3/4" Round Head Bolt (4)



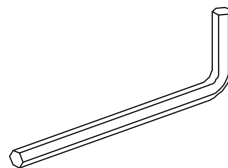
H4. 1 -1/8" Round Head Bolt (4)



H5. Wood Dowel (8)



H6. Plastic Plug (4)



H7. Allen wrench

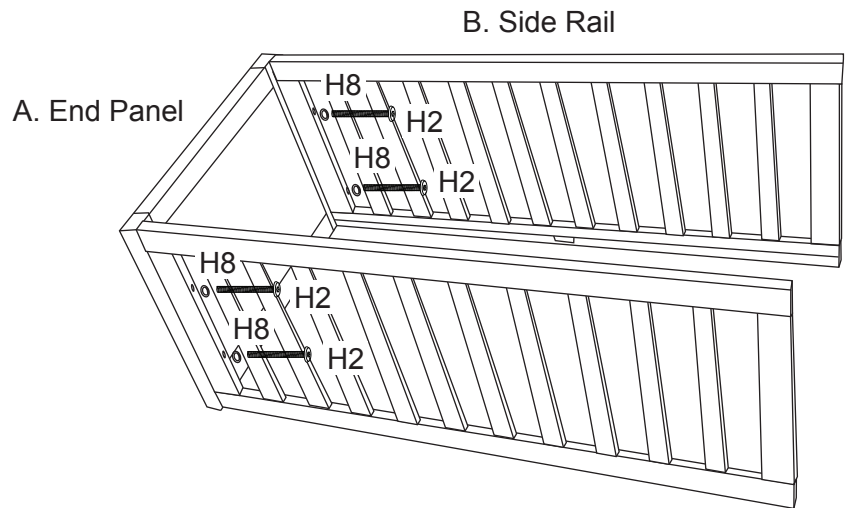


STEP 1.

Assemble the side panels (B) to one of the end panels (A) using Allen head bolts (H2) and lock washers (H8).

* Make sure the groove at each side panel faces the inside of the unit.

DO NOT OVERTIGHTEN.

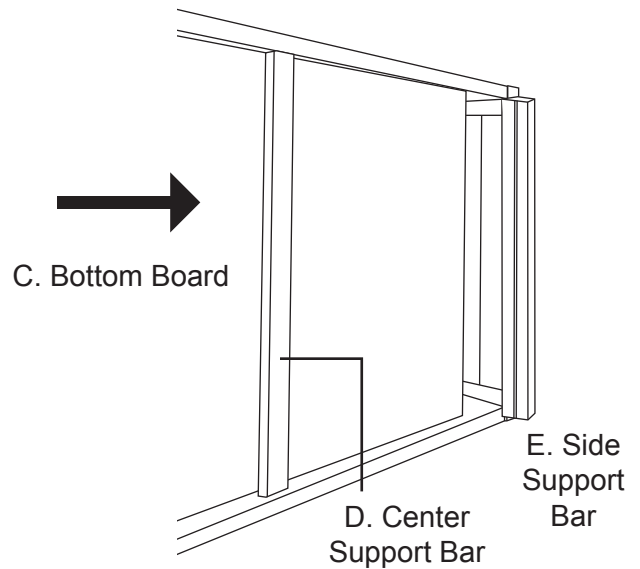


STEP 2.

Place the center support bar (D) and side support bar (E) as shown.

Then, slide in the bottom board (C) to the groove at each side panel (B).

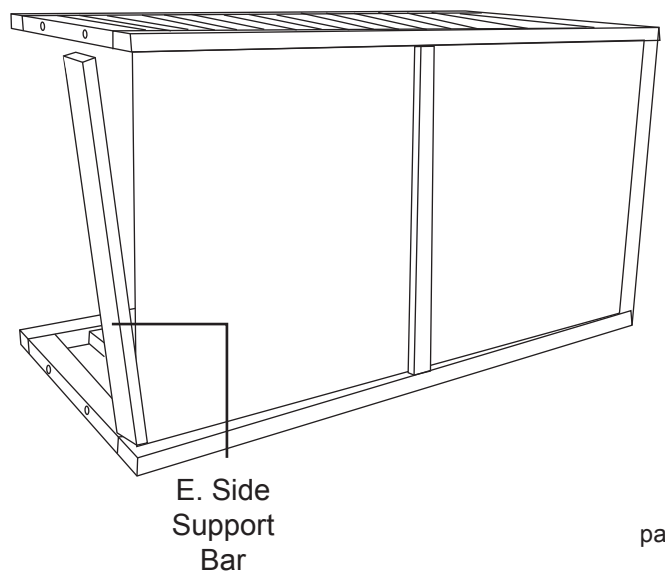
* Make sure the groove at side support bar (E) faces the inside of the unit.



STEP 3.

Place the other side support bar (E) as shown.

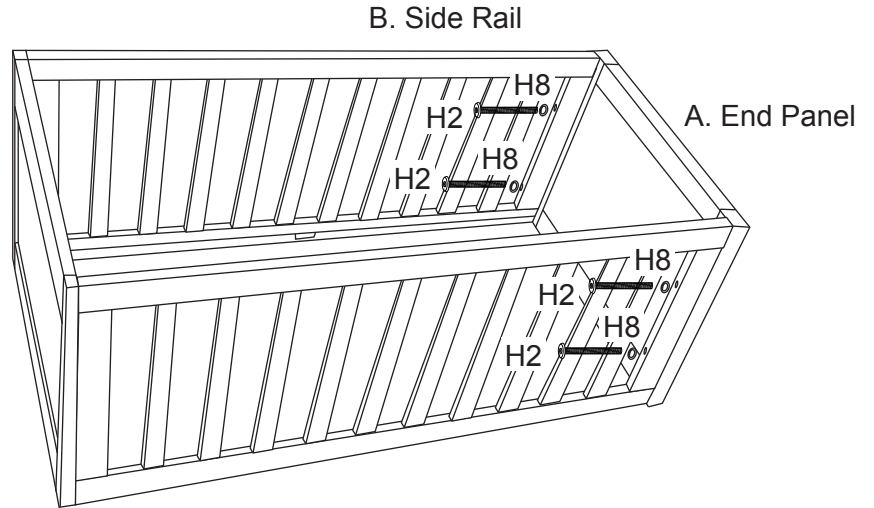
* Make sure the groove at side support bar (E) faces the inside of the unit.



STEP 4.

Assemble the other end panel (A) to the cradle assembly using Allen head bolts (H2) and lock washers (H8).

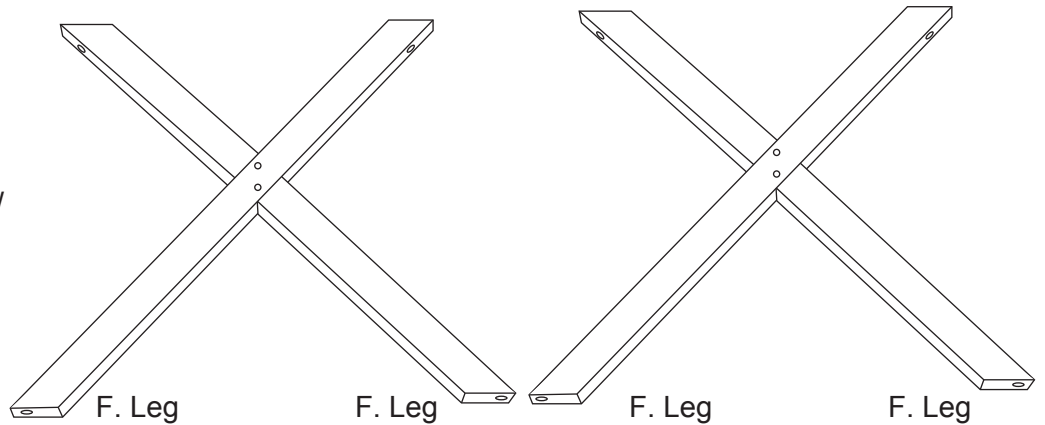
DO NOT OVERTIGHTEN.



STEP 5.

Fix four legs (F) as illustrated.

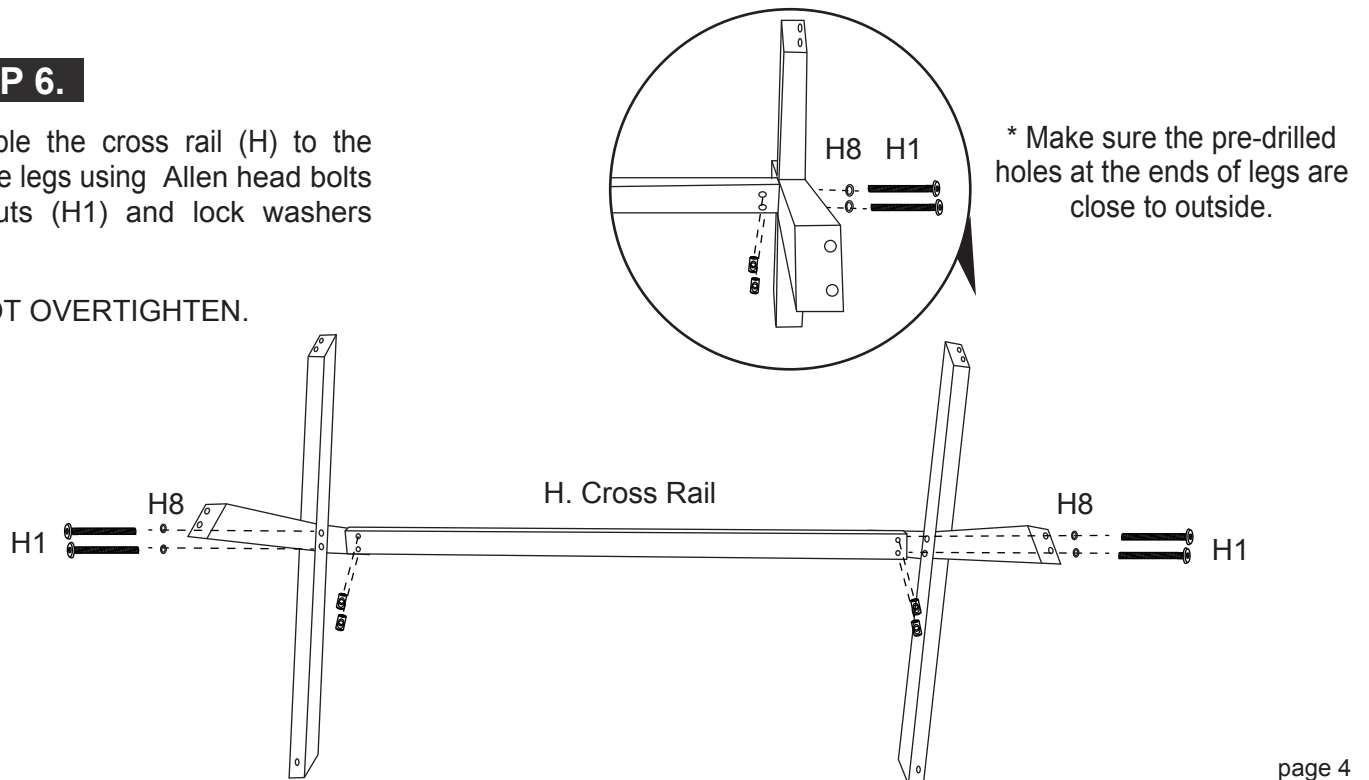
* No need to use any bolt or screw at this step.



STEP 6.

Assemble the cross rail (H) to the X-shape legs using Allen head bolts with nuts (H1) and lock washers (H8).

DO NOT OVERTIGHTEN.

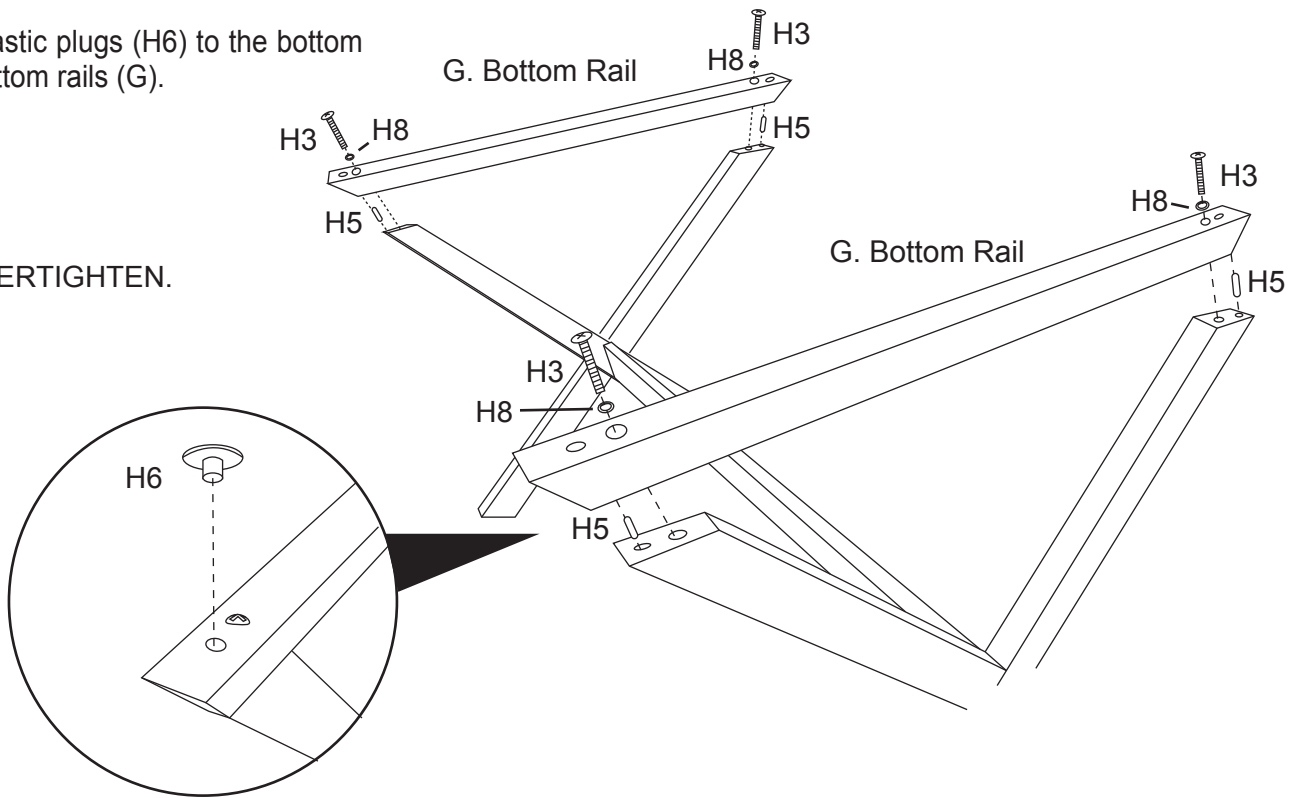


STEP 7.

Attach the bottom rails (G) to the X-shape legs using round head bolts (H3), lock washers (H8) and wood dowels (H5) as shown.

Insert four plastic plugs (H6) to the bottom corners of bottom rails (G).

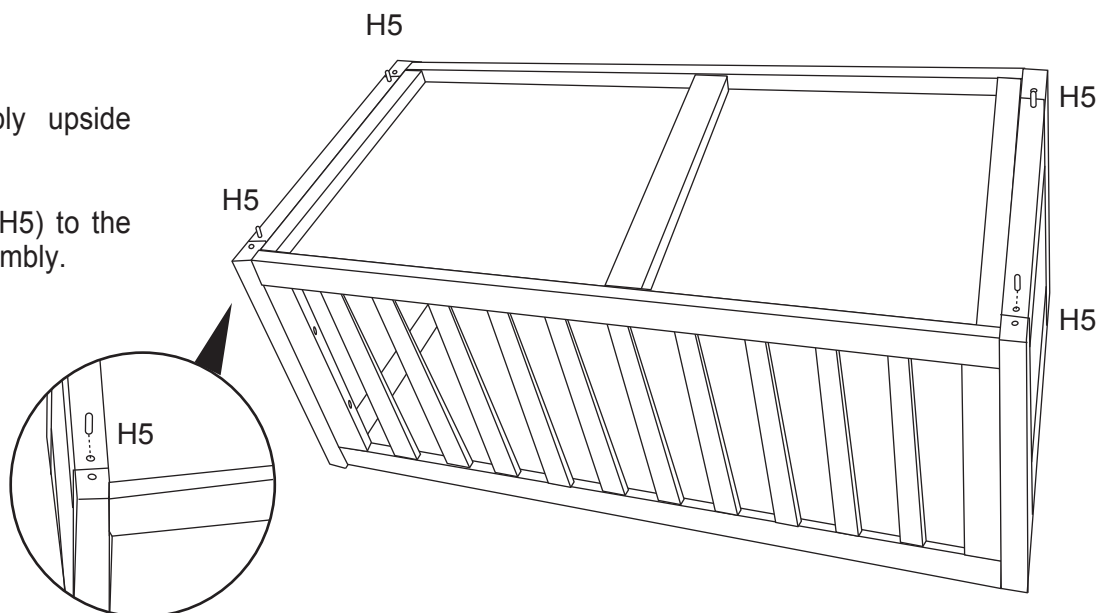
DO NOT OVERTIGHTEN.



STEP 8.

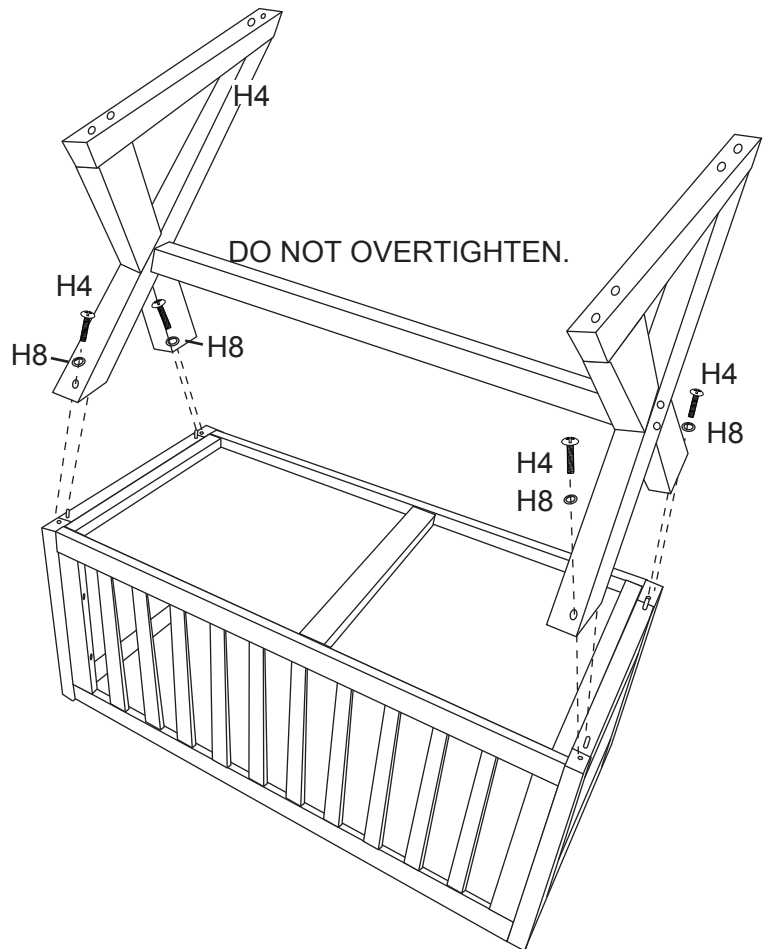
Turn the cradle assembly upside down.

Insert four wood dowels (H5) to the four corners of cradle assembly.



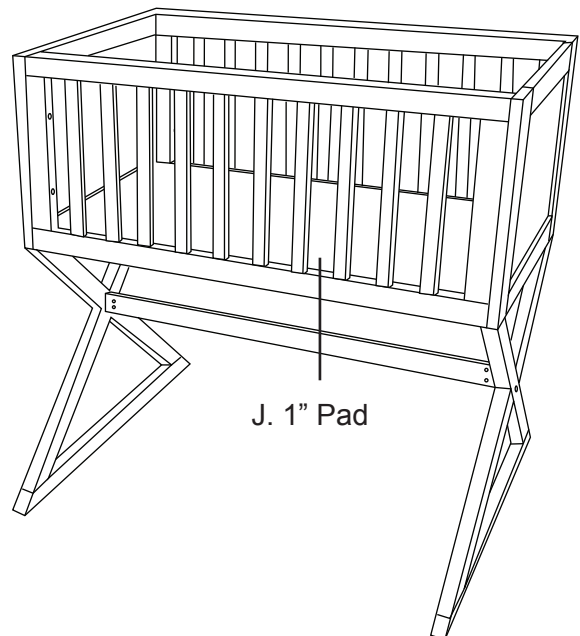
STEP 9.

Assemble the X-shape leg assembly to cradle assembly using round head bolts (H4) and lock washers (H8) as shown.



* Turn the cradle to the right position and place the pad (J) inside the cradle. Then, the cradle is ready to use.

KEEP THIS MANUAL IN A SAFE PLACE FOR FUTURE REFERENCE.



Please read the Caution and Warning Statements insert before using your cradle.



Stop using the cradle when a child is able to sit, stand, kneel or roll over on his/her own. The cradle could tip over if the child is leaning against the rails of the cradle.

Failure to follow these warnings and the instructions could result in serious injury or death.

FALL HAZARD - To help prevent falls, do not use this product when the infant begins to push up on hands and knees or has reached manufacturer's recommended maximum weight, whichever comes first.

SUFFOCATION HAZARD

- Infants can suffocate:

- In gaps between an extra pad and side of the bassinet/cradle
- On soft bedding

-NEVER add a mattress, pillow, comforter, or padding. Use ONLY the pad provided by manufacturer.

-To reduce the risk of SIDS, pediatricians recommend healthy infants be placed on their backs to sleep, unless otherwise advised by your physician.

-If a sheet is used with the pad, use only the one provided by the bassinet or cradle manufacturer or one specifically designed to fit the dimensions of the bassinet or cradle mattress.

-Strings can cause strangulation! Do not place items with a string around a child's neck, such as hood strings or pacifier cords. Do not suspend strings over a bassinet or cradle or attach strings to toys.

Storage:

Pine woods exchange moisture with the air adjusting to major changes in room temperature and humidity. Therefore, it is best to place your furniture away from heating or air-conditioning vents.

Sunlight is not friendly to solid wood furniture and prolonged direct exposure to harsh sunlight can discolor the finish. Be careful not to place your furniture in direct sunlight for extended periods of time. As with all your fine furniture, blot up spills immediately.

Care and Cleaning:

Do not scratch or chip the finish. Do not use abrasive chemicals for cleaning. Clean with mild soap on a soft rag. Rinse and dry thoroughly. If you ever refinish this furniture, be sure to use only a non-toxic finish specified for children's products. If you choose to refinish this furniture, the warranty will be voided.

ONE YEAR LIMITED WARRANTY:

We will replace any missing parts at the time of purchase or any defective item within a one year period from the date of original purchase. Please keep your receipt so that we may process your warranty request. This warranty only covers new units with original packaging and ownership, and is not transferable. It does not cover any used, second-hand or demo models.

This warranty does not cover any damaged or defective parts that result from installation and assembly, normal wear and tear, abuse, negligence, improper use or alteration to the finish, design, and hardware of the product. The specific legal rights of this warranty may vary from state to state. Some states do not allow any exclusion or limitation of incidental damages. Some States do not allow limitation on how long an implied warranty lasts.

Registering your product is even easier than before. You can register your product on our website at : www.themdbfamily.com

IF YOU WOULD LIKE TO ORDER REPLACEMENT OR MISSING PARTS PLEASE VISIT US AT:

WWW.THEMDBFAMILY.COM

OR YOU CAN CONTACT US BY MAIL:

MDB FAMILY

855 WASHINGTON BLVD.

MONTEBELLO, CA 90640